

BRUNNER FIREPLACES



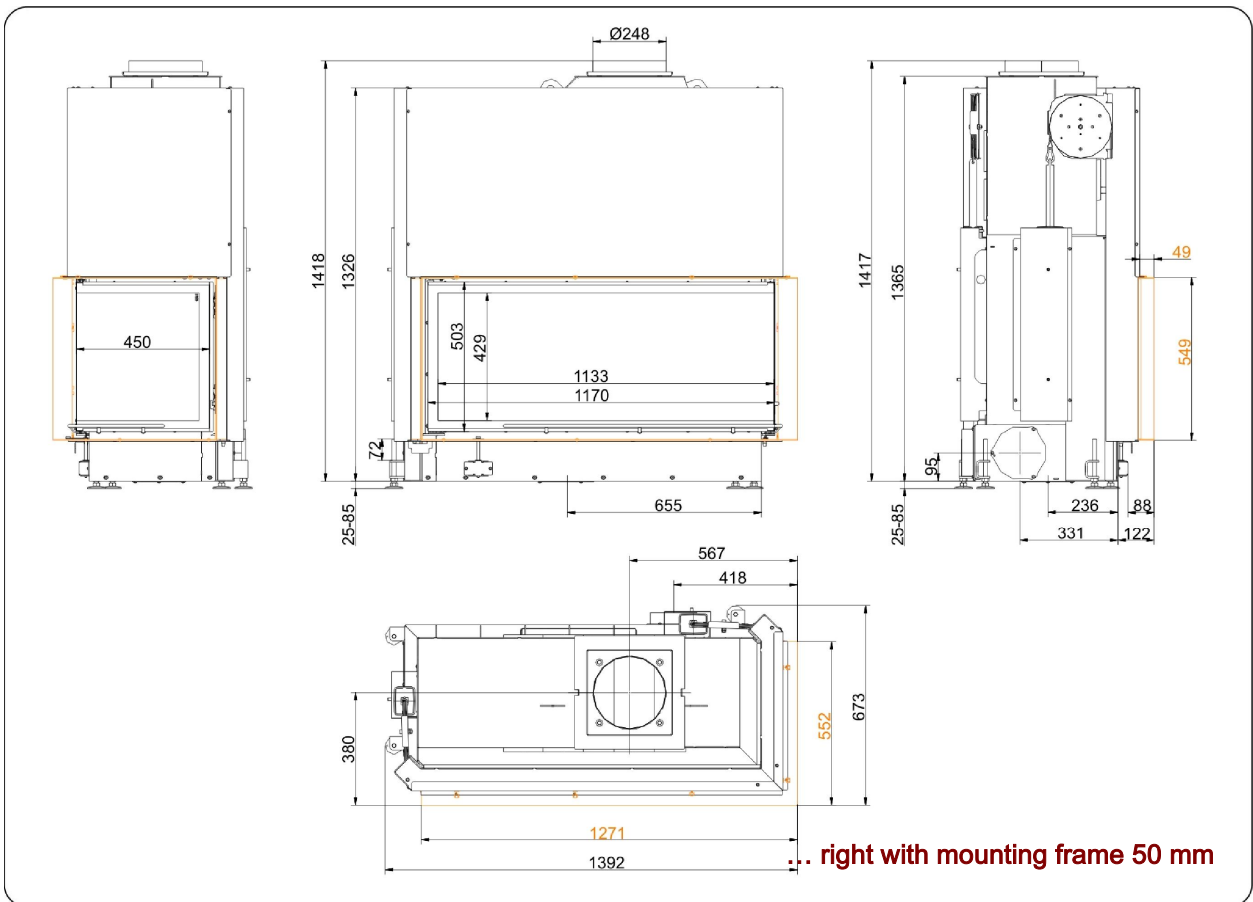
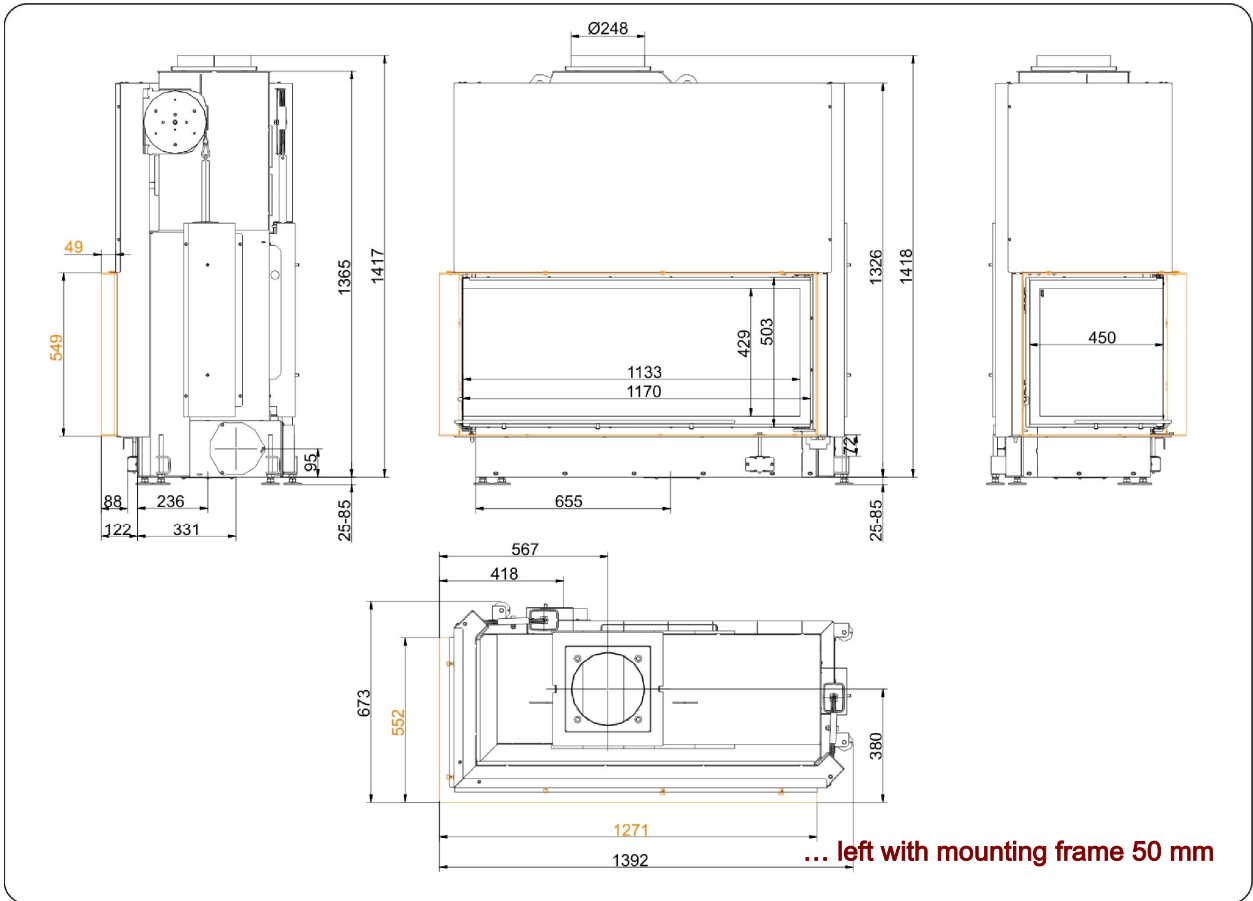
Architektur-Eck 53/121/50 lifting doors (easy-lift)

State: 17.11.2016



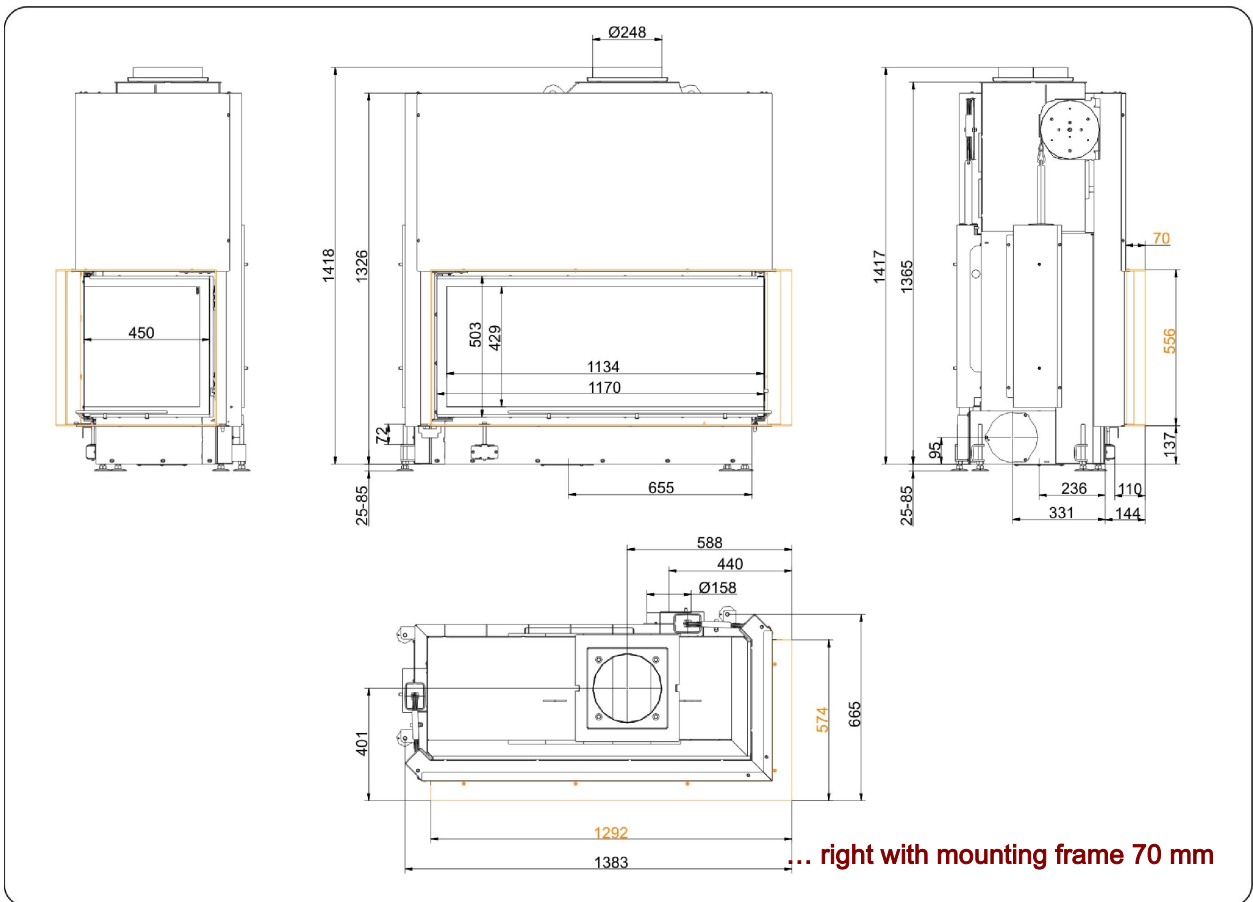
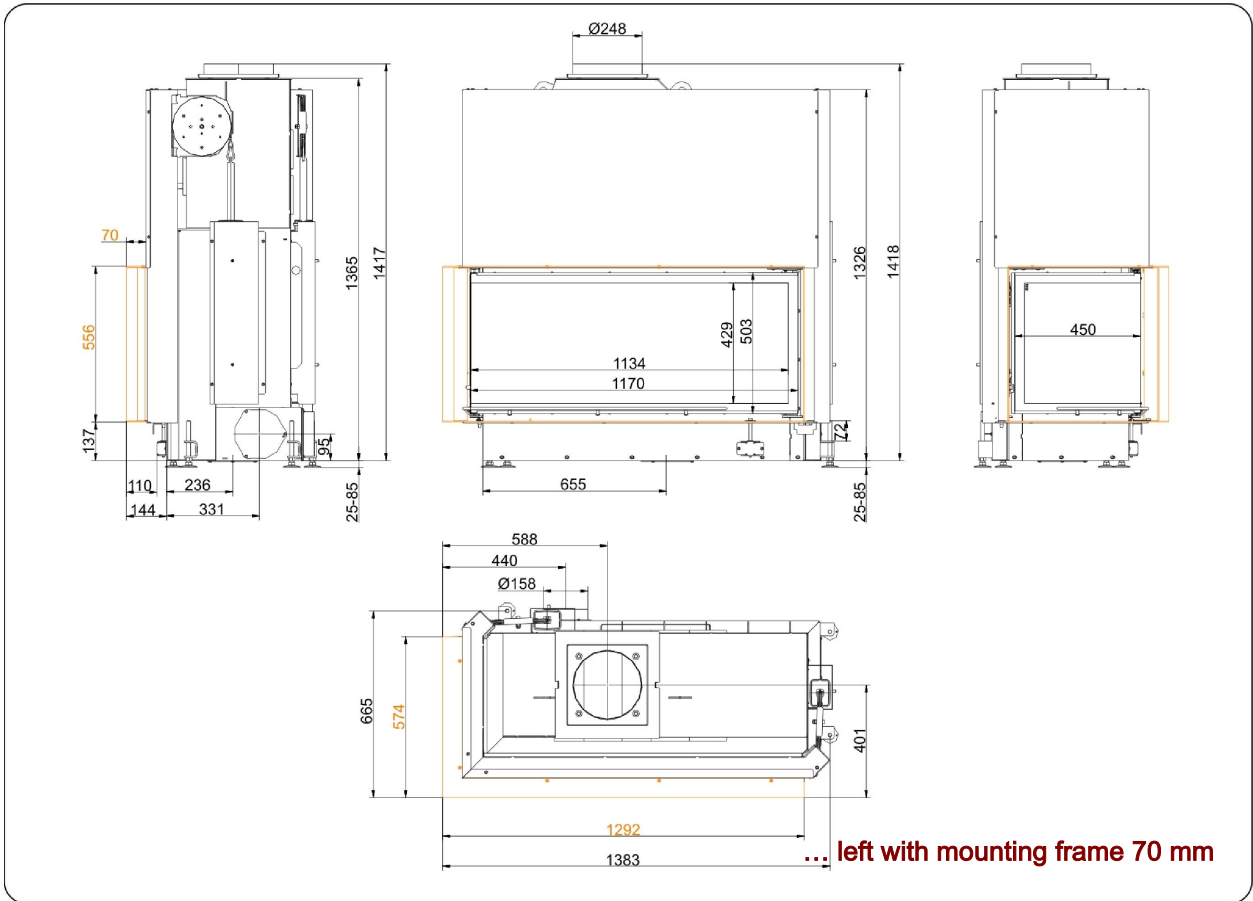
BRUNNER[®]
made in germany

Dimension sheet | **Architektur-Eck 53/121/50 lifting doors (easy-lift)**



We suggest for CAD planing Palette CAD. Permanent updated drawings: www.brunner.de
 Frames / front versions are marked colored.

Dimension sheet | **Architektur-Eck 53/121/50 lifting doors (easy-lift)**



We suggest for CAD planing Palette CAD. Permanent updated drawings: www.brunner.de
 Frames / front versions are marked colored.

Planning and installation

Architektur-Eck 53/121/50

Tested according to	EN 13229 W	EN 13229 W	
Values measured at	rated heat power	open door	
Suitable for all construction types according to rules	OK	OK	
Data for functional demonstration			
Rated heat power	kW	14,5	-
Firewood consumption	kg/h	4,3	4,3
Combustion performance	kW	18	18
Flue gas mass flow	g/s	18	120
Outlet temperature (before heating surface)	°C	-	-
Flue gas temperature after			
attached steel smoke hood	°C	190	105
adjoining cast iron radiator (GNF10)	°C	-	-
accumulation rings (MAS) ¹⁾	°C	-	-
adjoining ceramic accumulator ²⁾	°C	-	-
accumulation stones (MSS)	°C	-	-
water boiler	°C	-	-
Necessary supply pressure	Pa	12	6
Combustion air consumption	m ³ /h	60	250
Combustion air connection Ø	mm	160	-
Heat distribution			
Insert / heating surface	%	55 / -	- / -
Glass (single / double)	%	45 / -	- / -
Boiler	%	-	-
Vent cross-section ⁴⁾			
Supply air	cm ²	1100 / 100 / -	- / - / -
Warm air	cm ²	1100 / 100 / -	- / - / -
Minimal oven surface for closed construction type			
Surface giving off heat	m ²	6,4	-
Space inside oven chamber			
Distance to oven chamber wall	cm	8	8
Distance to floor	cm	2	2
Heat insulation without / with ³⁾ air gratings			
Wall	cm	16 / 12	16 / 12
Floor	cm	4 / 4	4 / 4
Ceiling	cm	22 / 16	22 / 16
Insulation of additional fire door DHT	cm	-	-
Brick lining of protected walls	cm	10	10
Weight			
Fireplace + burning chamber	kg	318 + 103	
meets requirement limit values for			
Germany / Austria / Switzerland / Norway	1.BImSchV (Stufe 2) / 15a BVG (2015) / LRV / NS 3059		

1) Throttle flap recommended

2) Approximate value, must be calculated eventually

3) Values with air gratings, stove casing is heat conducting

4) for firebox / flue gas pipe / metallic reheating surface

Ulrich Brunner GmbH
Zellhuber Ring 17 -18
D-84307 Eggenfelden
Phone: +49 / (0)87 21 / 7 71-0
Fax: +49 / (0)87 21 / 7 71-100
info@brunner.eu | www.brunner.eu



BRUNNER products are offered and sold only by qualified dealers and service centres.
Subject to technical and assortment changes. Errors excepted. (11/16)