



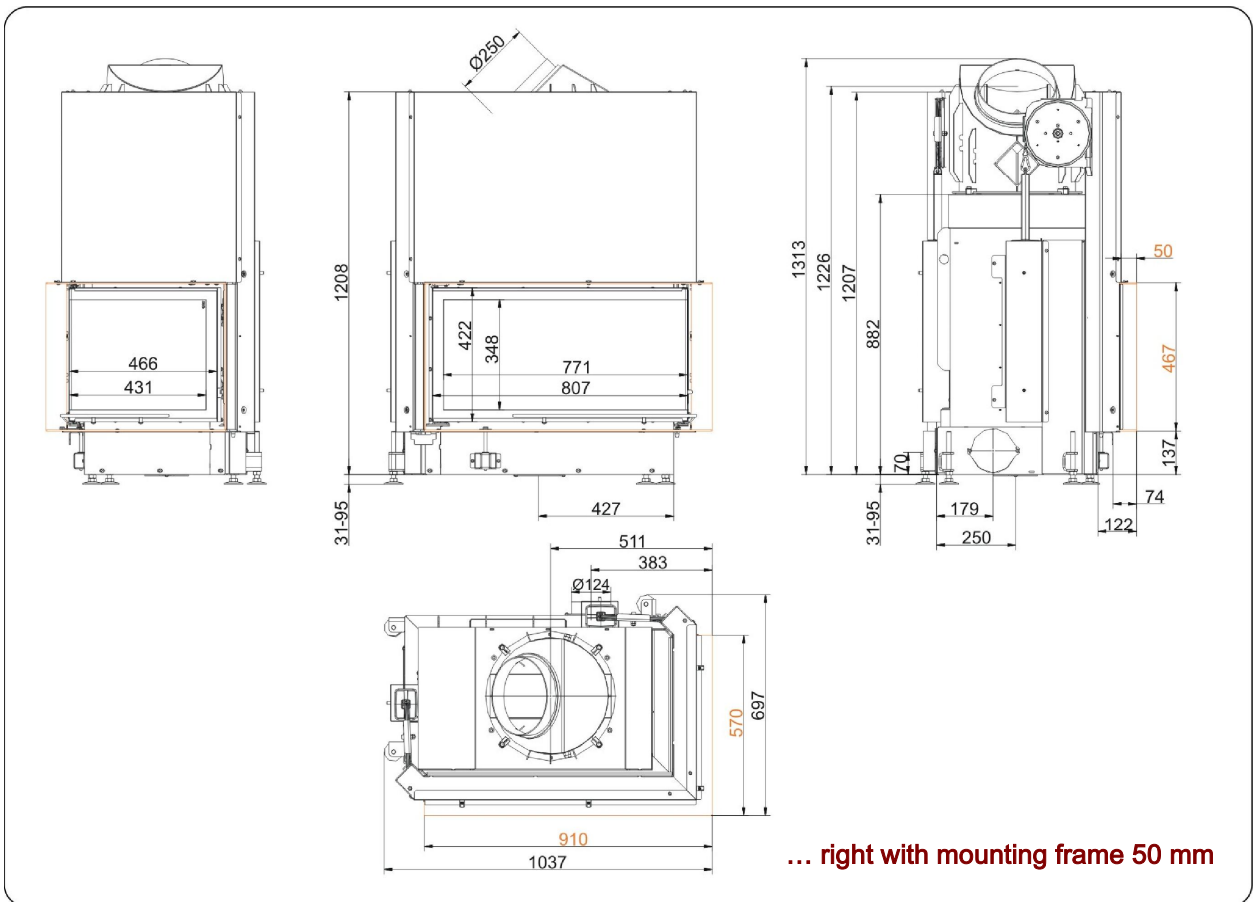
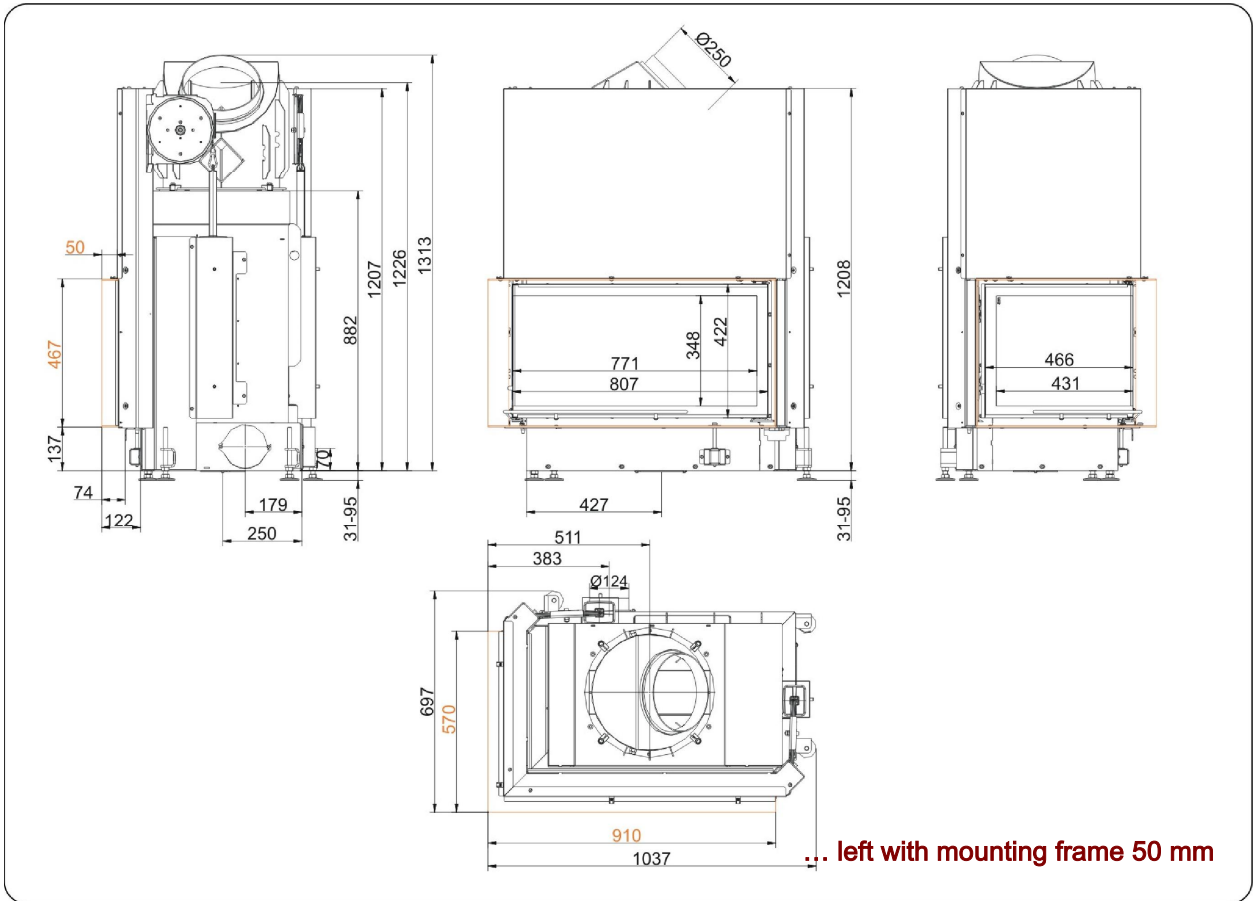
Architektur-Eck 45/82/48 lifting doors (easy-lift)

State: 17.11.2016



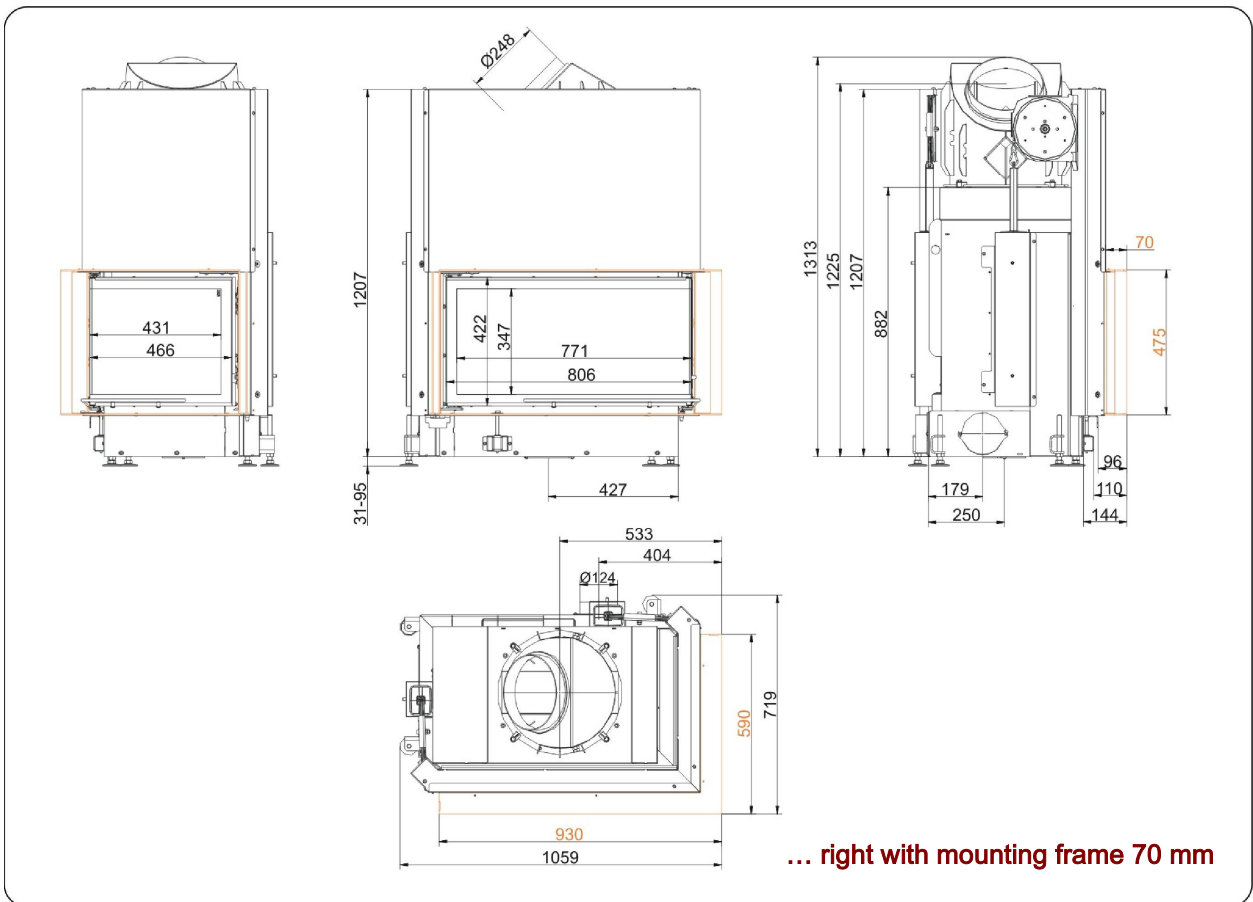
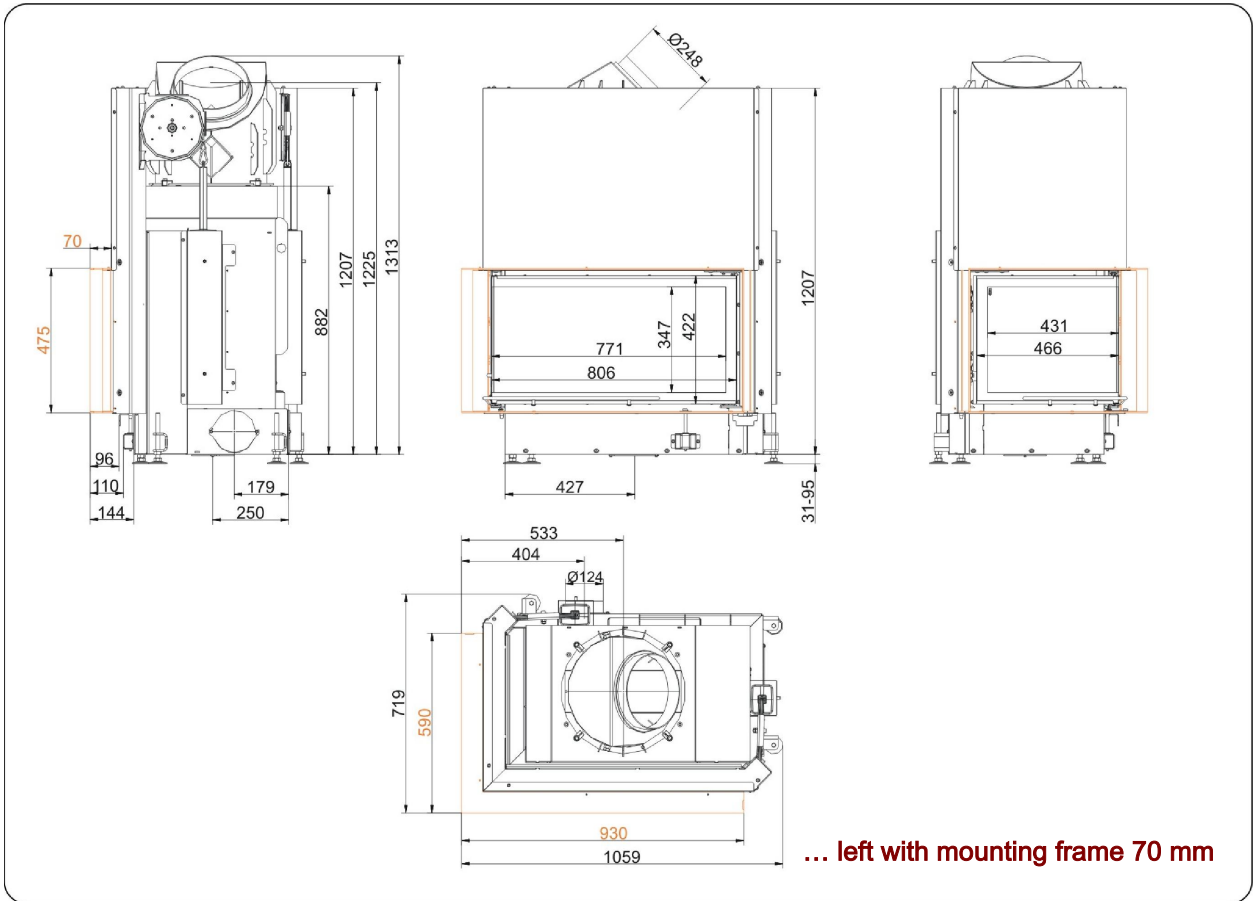
BRUNNER[®]
made in germany

Dimension sheet | **Architektur-Eck 45/82/48 lifting doors (easy-lift)**



We suggest for CAD planing Palette CAD. Permanent updated drawings: www.brunner.de
 Frames / front versions are marked colored.

Dimension sheet | **Architektur-Eck 45/82/48 lifting doors (easy-lift)**



We suggest for CAD planing Palette CAD. Permanent updated drawings: www.brunner.de
 Frames / front versions are marked colored.

Planning and installation

Architektur-Eck 45/82/48

Tested according to	EN 13229 W	EN 13229 WA	EN 13229 W
Values measured at	rated heat power	accumulation	open door
Suitable for all construction types according to rules	OK	OK	OK

Data for functional demonstration

Rated heat power	kW	12	-	-
Firewood consumption	kg/h	3,6	5	3,5
Combustion performance	kW	16	22	16
Flue gas mass flow	g/s	11	19	90
Outlet temperature (before heating surface)	°C	-	325	-
Flue gas temperature after				
attached steel smoke hood	°C	195	260	118
1 x adjoining cast iron radiator (GNF10)	°C	-	142	-
6 x accumulation rings (MAS) ¹⁾	°C	-	200	-
2 m adjoining ceramic accumulator ²⁾	°C	-	180	-
1,4 m accumulation stones (MSS)	°C	-	180	-
water boiler	°C	-	-	-
Necessary supply pressure	Pa	12	15	9
Combustion air consumption	m ³ /h	32	50	220
Combustion air connection Ø	mm	125	125	-

Heat distribution

Insert / heating surface	%	25 / 30	25 / 30	- / -
Glass (single / double)	%	45 / -	45 / -	- / -
Boiler	%	-	-	-

Vent cross-section ⁴⁾

Supply air	cm ²	700 / 100 / 400	700 / 100 / 400	- / - / -
Warm air	cm ²	700 / 100 / 400	700 / 100 / 400	- / - / -

Minimal oven surface for closed construction type

Surface giving off heat	m ²	5,0	5,0	-
-------------------------	----------------	-----	-----	---

Space inside oven chamber

Distance to oven chamber wall	cm	8	8	8
Distance to floor	cm	15	15	15

Heat insulation without / with ³⁾ air gratings

Wall	cm	14 / 10	14 / 10	14 / 10
Floor	cm	2 / 2	2 / 2	2 / 2
Ceiling	cm	19 / 14	19 / 14	19 / 14
Insulation of additional fire door DHT	cm	-	-	-
Brick lining of protected walls	cm	10	10	10

Weight

Fireplace + burning chamber	kg		238 + 71	
-----------------------------	----	--	----------	--

meets requirement limit values for

Germany / Austria / Switzerland / Norway	1.BImSchV (Stufe 2) / 15a BVG (2015) / LRV / NS 3059
--	--

- 1) Throttle flap recommended
- 2) Approximate value, must be calculated eventually
- 3) Values with air gratings, stove casing is heat conducting
- 4) for firebox / flue gas pipe / metallic reheating surface

Ulrich Brunner GmbH
 Zellhuber Ring 17 -18
 D-84307 Eggenfelden
 Phone: +49 / (0)87 21 / 7 71-0
 Fax: +49 / (0)87 21 / 7 71-100
 info@brunner.eu | www.brunner.eu



BRUNNER products are offered and sold only by qualified dealers and service centres.
 Subject to technical and assortment changes. Errors excepted. (11/16)